

Tube connectors

Aluminum

SPECIFICATION

Identification No.

No. **2**: With 2 stainless steel socket cap screws DIN 912

Aluminium

Powder coated

Black, RAL 9005, textured finish **SW**

Plain, Matte shot-blasted **BL**

Socket cap screw DIN 912

Stainless steel AISI 304

Hexagon nuts DIN 985

Stainless steel AISI 304

Self-locking via polyamide ring



INFORMATION

The clamping bores of GN 242 tube connector joints are mechanically machined and designed for construction tubes GN 990 (see page 1902) or DIN 2391, DIN 2395 and DIN 2462.

At the screw locations **z** the socket cap screws reduce the bore cross-section for clamping.

For clamping without tools, the socket cap screws can be replaced by the adjustable hand levers GN 911 (see page 1874) listed in the table as accessories.

ACCESSORY

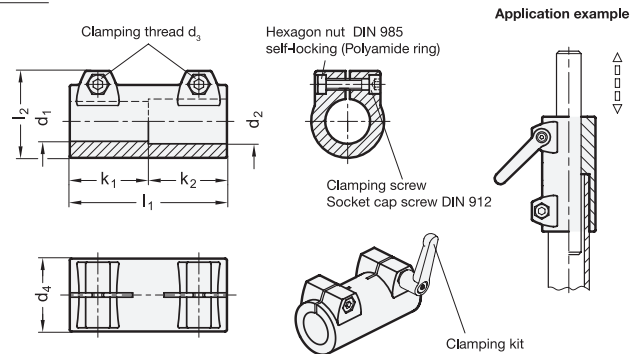
- Clamping kits GN 911 (see page 1874)

ON REQUEST

- d_1 / d_2 with unequal bores

TECHNICAL INFORMATION

- Stainless Steel characteristics (see page A26)



* Complete with colour index of the Tube connector joints (SW or BL)

SW RAL9005
BL blank

GN 242

Description	d1	d2	d3	d4	k1	k2	l1	l2	Clamping kits for d3	△
GN 242-B20-B20-2-*	B 20	B 20	M 8	40	45	45	90	52	GN 911-M8-32	290
GN 242-B20-B25-2-*	B 20	B 25	M 8	40	45	45	90	52	GN 911-M8-32	290
GN 242-B25-B25-2-*	B 25	B 25	M 8	40	45	45	90	52	GN 911-M8-32	242
GN 242-B25-B30-2-*	B 25	B 30	M 8	40	45	45	90	52	GN 911-M8-32	214
GN 242-B30-B30-2-*	B 30	B 30	M 8	40	45	45	90	52	GN 911-M8-32	202
GN 242-B40-B40-2-*	B 40	B 40	M 10	65	70	70	140	77.5	GN 911-M10-55	960
GN 242-B40-B50-2-*	B 40	B 50	M 10	65	70	70	140	77.5	GN 911-M10-55	834
GN 242-B42-B42-2-*	B 42	B 42	M 10	65	70	70	140	77.5	GN 911-M10-55	802
GN 242-B45-B45-2-*	B 45	B 45	M 10	65	70	70	140	77.5	GN 911-M10-55	760
GN 242-B48-B48-2-*	B 48	B 48	M 10	65	70	70	140	77.5	GN 911-M10-55	700
GN 242-B50-B50-2-*	B 50	B 50	M 10	65	70	70	140	77.5	GN 911-M10-55	680

Weight BL